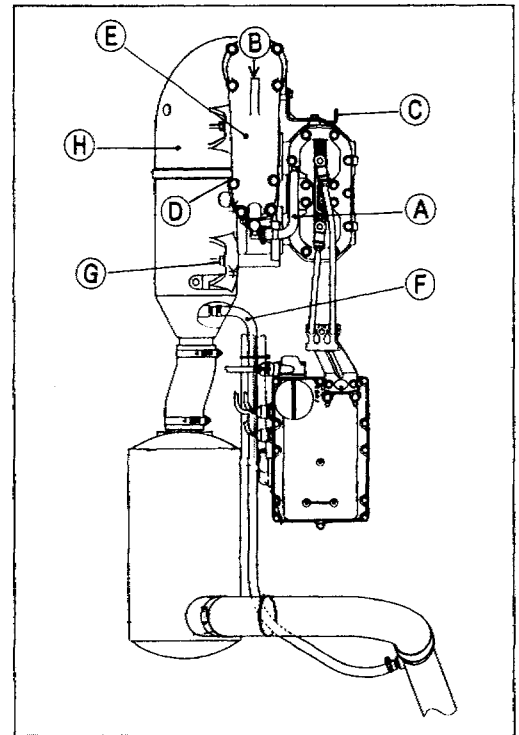


JH750C:**Removal**

- Remove or disconnect:
 - Cooling Hose [A]
 - Bypass Hose [B]
 - Cable Holder [C]
 - Exhaust Pipe Mounting Bolts [D]
 - Exhaust Pipe [E]
 - Cooling Hose (Chamber ~ Exhaust Pipe) [F]
 - Expansion Chamber Mounting Bolts [G]
 - Expansion Chamber [H]

**Installation Notes**

- Install provisionally the expansion chamber [A] on the exhaust manifold with the pins [B].
- Install provisionally the cable holder between the cylinder and chamber.
- Apply a non-permanent locking agent to the following bolts and torque them in the following order.

- Torque** – 1. Expansion Chamber Mounting Bolts: 49 N-m (5.0 kg-m, 36 ft-lb)
2. Cable Holder Mounting Bolts (Chamber Side):
20 N-m (2.0 kg-m, 14.5 ft-lb)
3. Cable Holder Mounting Bolts (Cylinder Side):
20 N-m (2.0 kg-m, 14.5 ft-lb)

