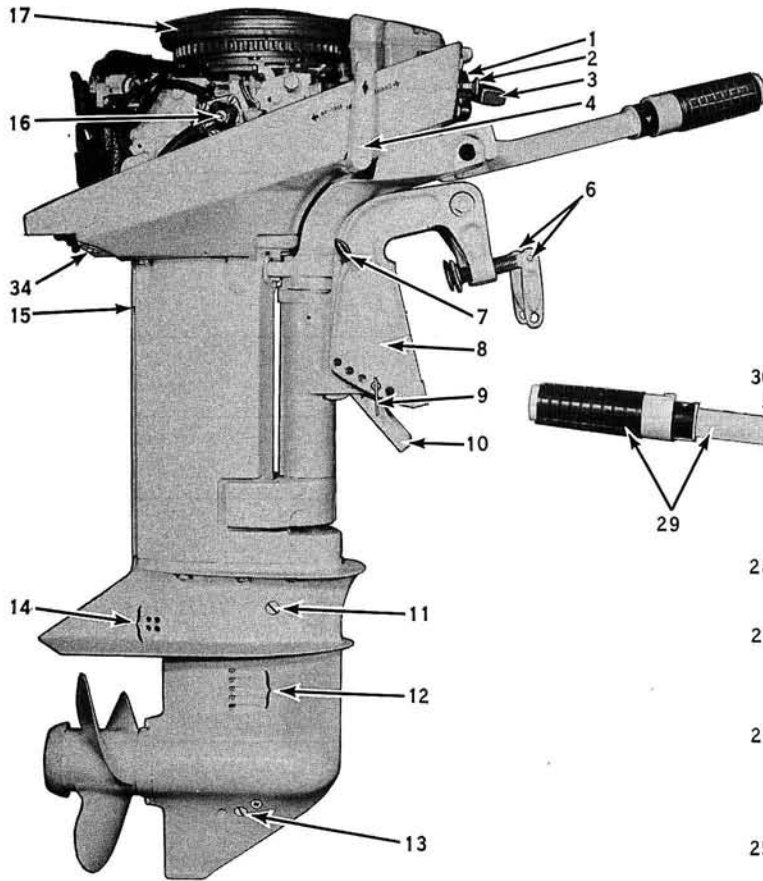
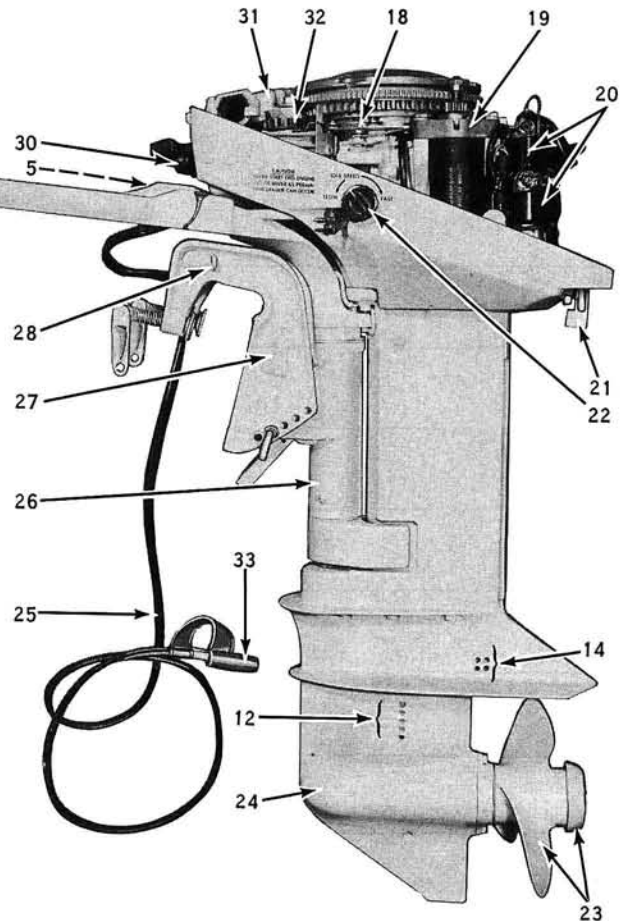


1. Low speed mixture adjusting knob
2. Choke knob
3. Starter handle
4. Shift lever
5. Start button (electric start)
6. Clamp screws
7. Tilt lever
8. Stern brackets
9. Thrust rod (tilt adjustment)
10. Shallow water drive bracket
11. Oil level plug
12. Water intake, port and starboard
13. Oil drain/fill plug
14. Water discharge, port and starboard
15. Exhaust relief
16. Fuel pump and filter

17. Flywheel
18. Armature plate assembly
19. Electric starter
20. Ignition coils
21. Latch, motor cover
22. Idle speed adjusting knob
23. Propeller and converging ring
24. Gearcase
25. Battery cable (electric start)
26. Swivel bracket
27. Model and serial number plate
28. Safety chain link
29. Steering handle and twist grip
30. Stop button
31. Air silencer
32. Re-wind starter
33. Positive battery cable boot
34. Water pump indicator



73125



73126

Figure 1-1. Starboard  
(Manual Start)

Figure 1-2. Port Side  
(Electric Start)