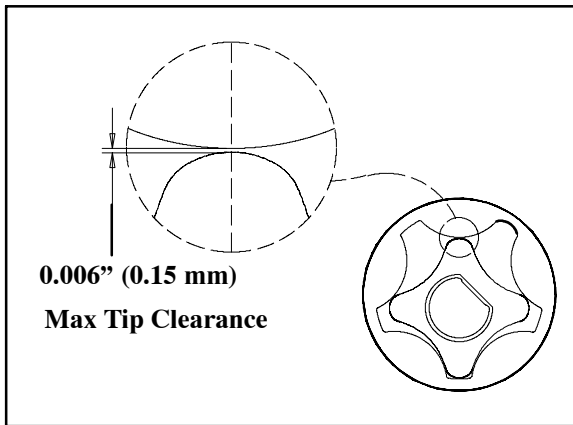


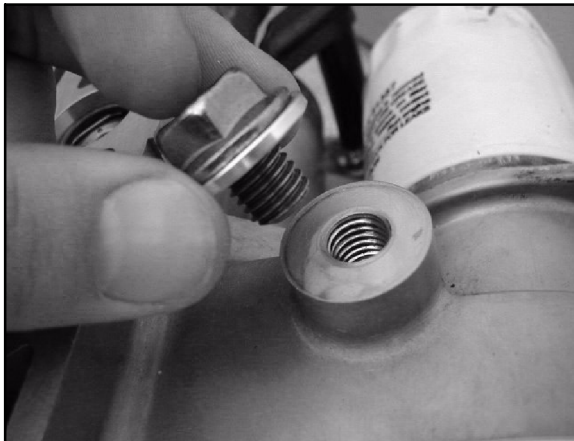


Oil Rotor Clearance

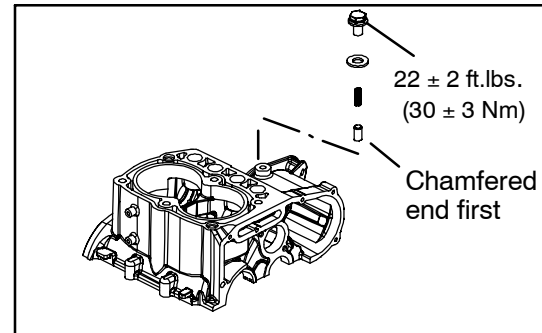
28. Use a feeler gauge to measure the clearance between the two rotors. Measure the gap between the two rotor tips as shown below. The clearance should not exceed 0.006" (0.15 mm).



29. Remove the oil pressure relief. The oil pressure relief consists of a bolt, washer, spring, and valve (dowel). Inspect the valve (dowel) for signs of possible obstructions. Use compressed air to blow out any debris.



30. Reinstall the valve (dowel chamfered end first). Install the spring, washer, and bolt. Torque the bolt to 22 ± 2 ft. lbs. (30 ± 3 Nm).



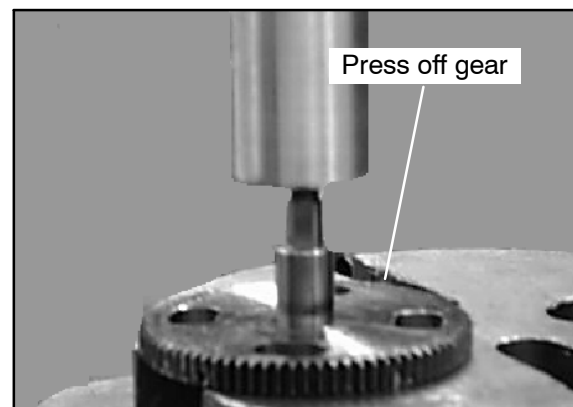
NOTE: Be sure to place the tapered end of the valve (dowel) in first. If the valve is installed incorrectly, oil pressure and oil priming problems will occur.

DISASSEMBLY OF WATER/OIL PUMP SHAFT

⚠ WARNING

Wear appropriate safety gear during this procedure. Protective gloves, clothing and eyewear are required.

31. Carefully press the gear off the assembly while supporting the housing assembly.



32. Remove the snap ring from the assembly. Place the housing in a support and press out the bearing/shaft assembly.