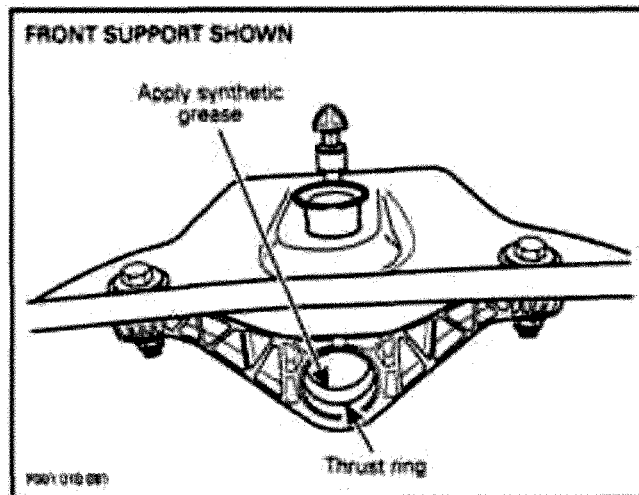
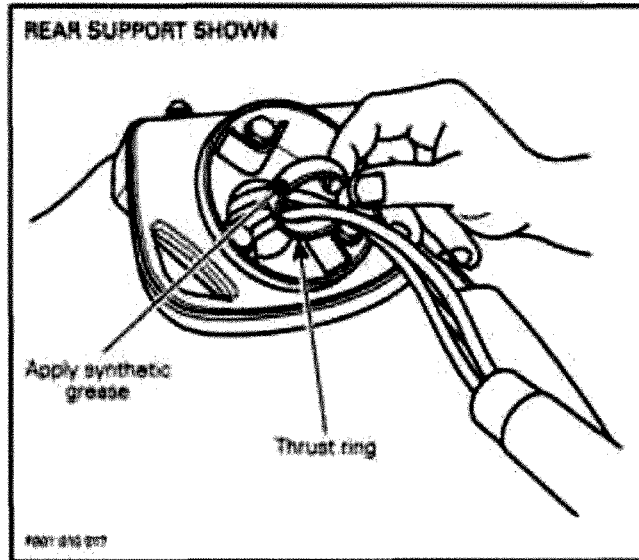


**13,14,15, Thrust Ring, Rear and Front Supports**

Lubricate with synthetic grease thrust ring of rear and front supports. Make sure thrust rings are properly installed.

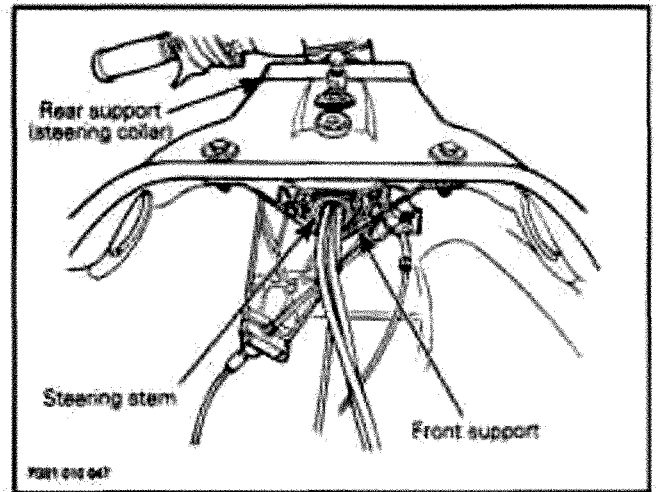


**9,10,11,12, Steering Stem, Arm, Support and Handlebar**

Insert steering stem into rear support, taking care at the same time to insert throttle cable and wiring harnesses.

From bilge, route throttle cable and wiring harnesses into front steering support. Push handlebar assembly until steering stem is well seated into steering supports.

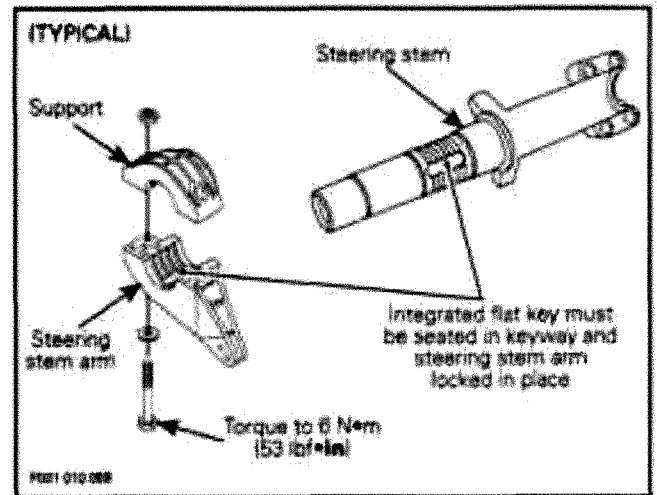
**CAUTION:** While performing this procedure, take precautions to avoid damaging throttle cable and wiring harnesses.



Position steering stem arm and support onto steering stem.

**WARNING:** Make sure integrated flat key of steering stem arm is properly seated in steering stem keyway. Steering stem arm must be locked in place before torquing the bolts.

Torque bolts of steering stem arm to 6 N•m (53 lbf•in).



Connect wiring harnesses.

Route throttle cable alongside bilge. Insert cable barrel into carburetor throttle lever.

Insert throttle cable alongside choke cable in tie-block and clips.

For throttle cable adjustment, refer to FUEL SYSTEM 05-03.